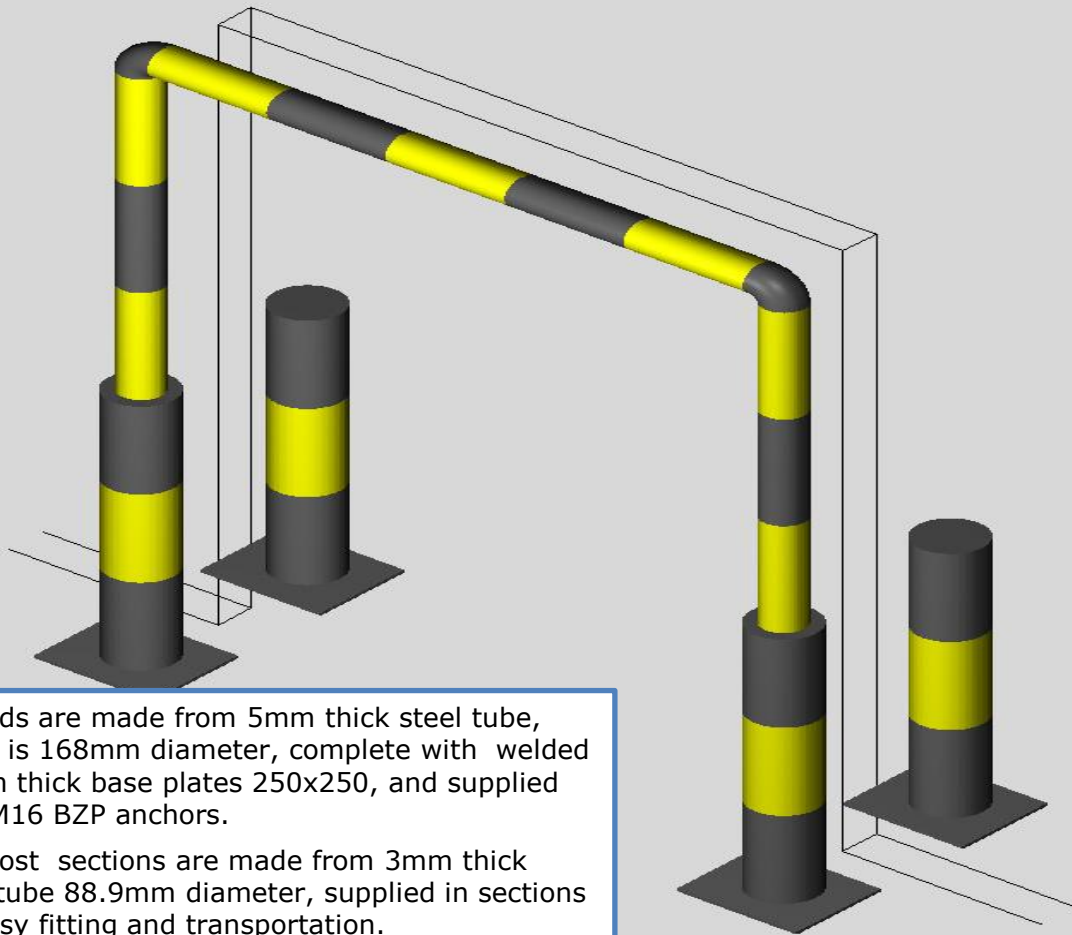
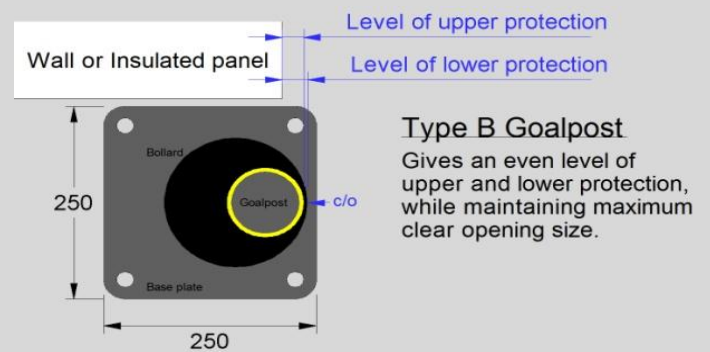
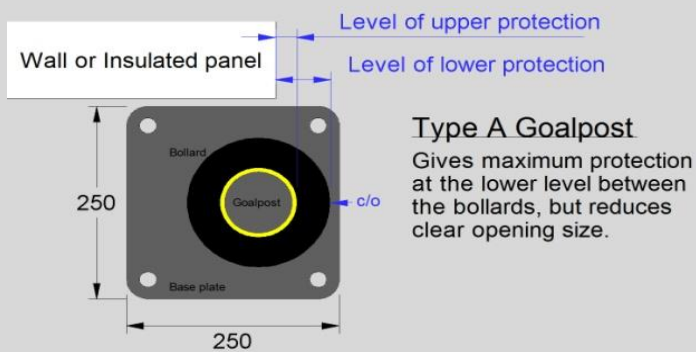


GP23 Goalpost Order/Enquiry Form



Bollards are made from 5mm thick steel tube, which is 168mm diameter, complete with welded 10mm thick base plates 250x250, and supplied with M16 BZP anchors.

Goalpost sections are made from 3mm thick steel tube 88.9mm diameter, supplied in sections for easy fitting and transportation.



1. Please fill in the table below, providing the width and height of your door way.
2. Please specify type of protection A or B, and if your require internal bollards.
3. Select from the following finishes: Blk/Yel Gloss, Galvanised, Stainless Steel, Other (specify).

Quantity (no')	Width (mm)	Height (mm)	Type (A or B)	Bollards (Y or N)	Finish